

Front Suspension

Wish Height: 15
 Castors: 1.5
 Rec: AK
 Arm Type: Hard flat
 Tower Type: flat
 Caster Block Mount: 5 flat
 Bulkhead Type: brass
 Roll-Over Angle: 30
 Wheel Base: std

Anti Ball Bar:
 None
 White (0.8mm)
 Gray (0.9mm)
 Blue (1.0mm)
 Other:

Bump Steer Spacing: 0

Axle Height:
 +3
 +2
 +1
 0
 SCH1256

Ball Stud Spacing: 2mm

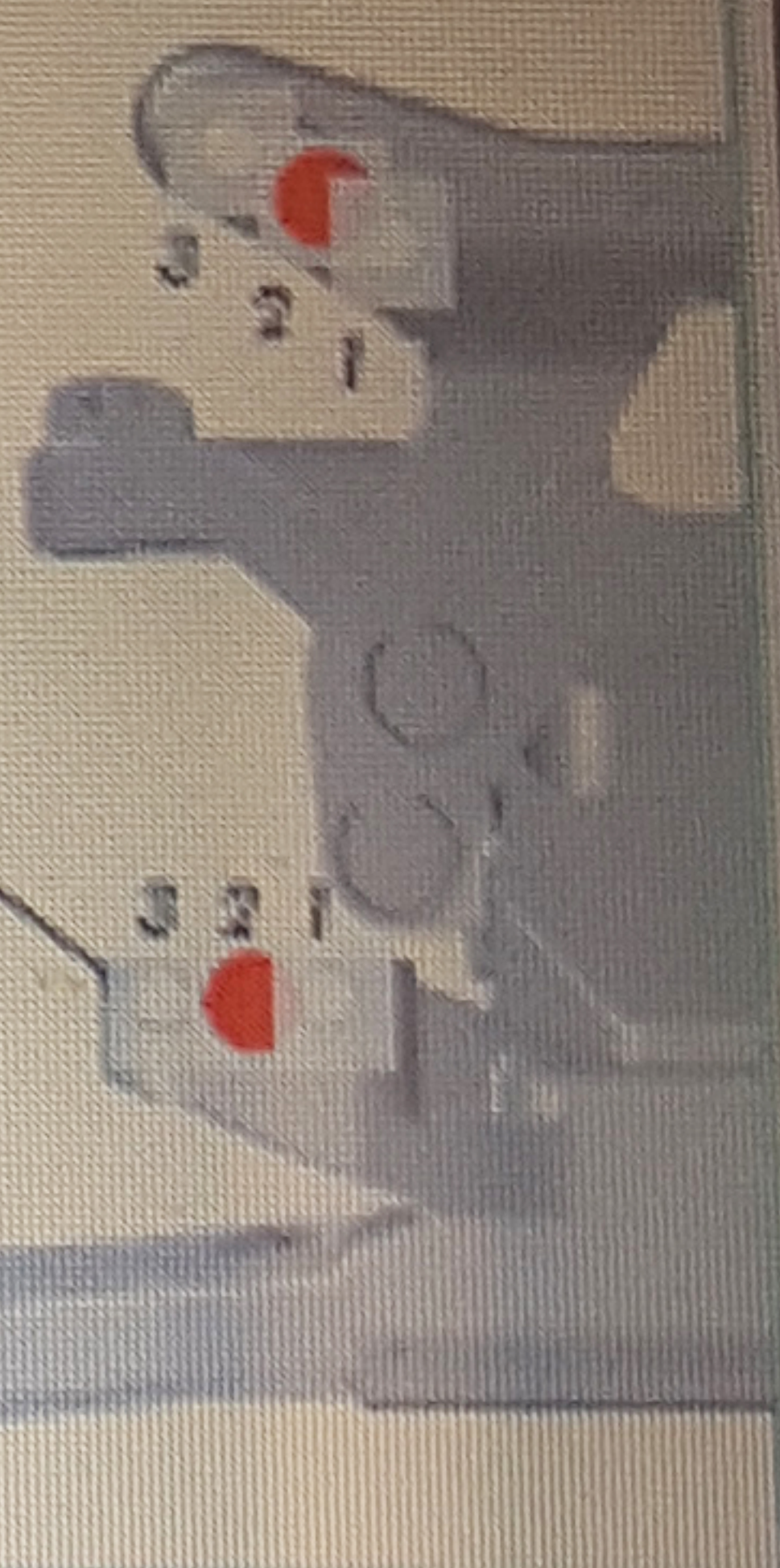
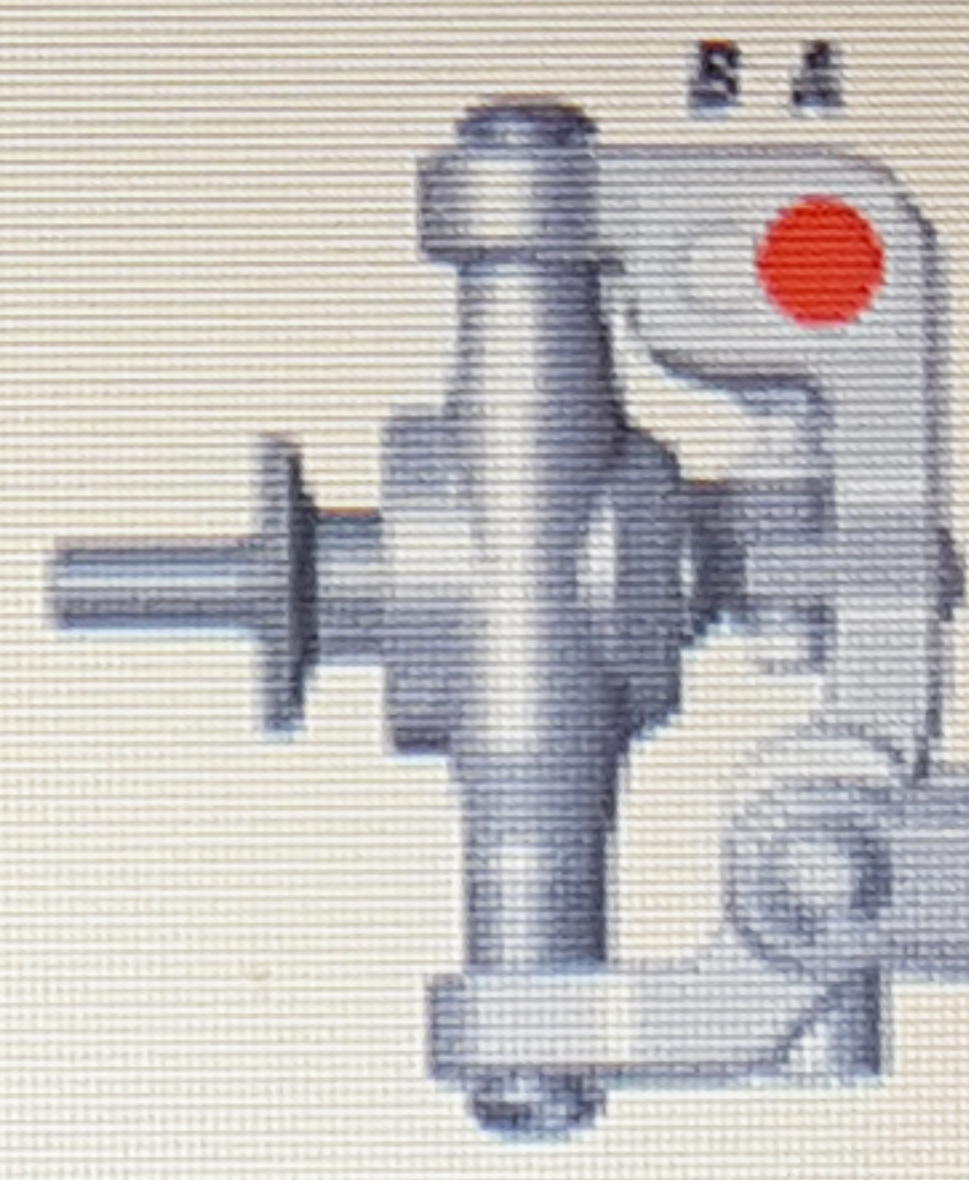
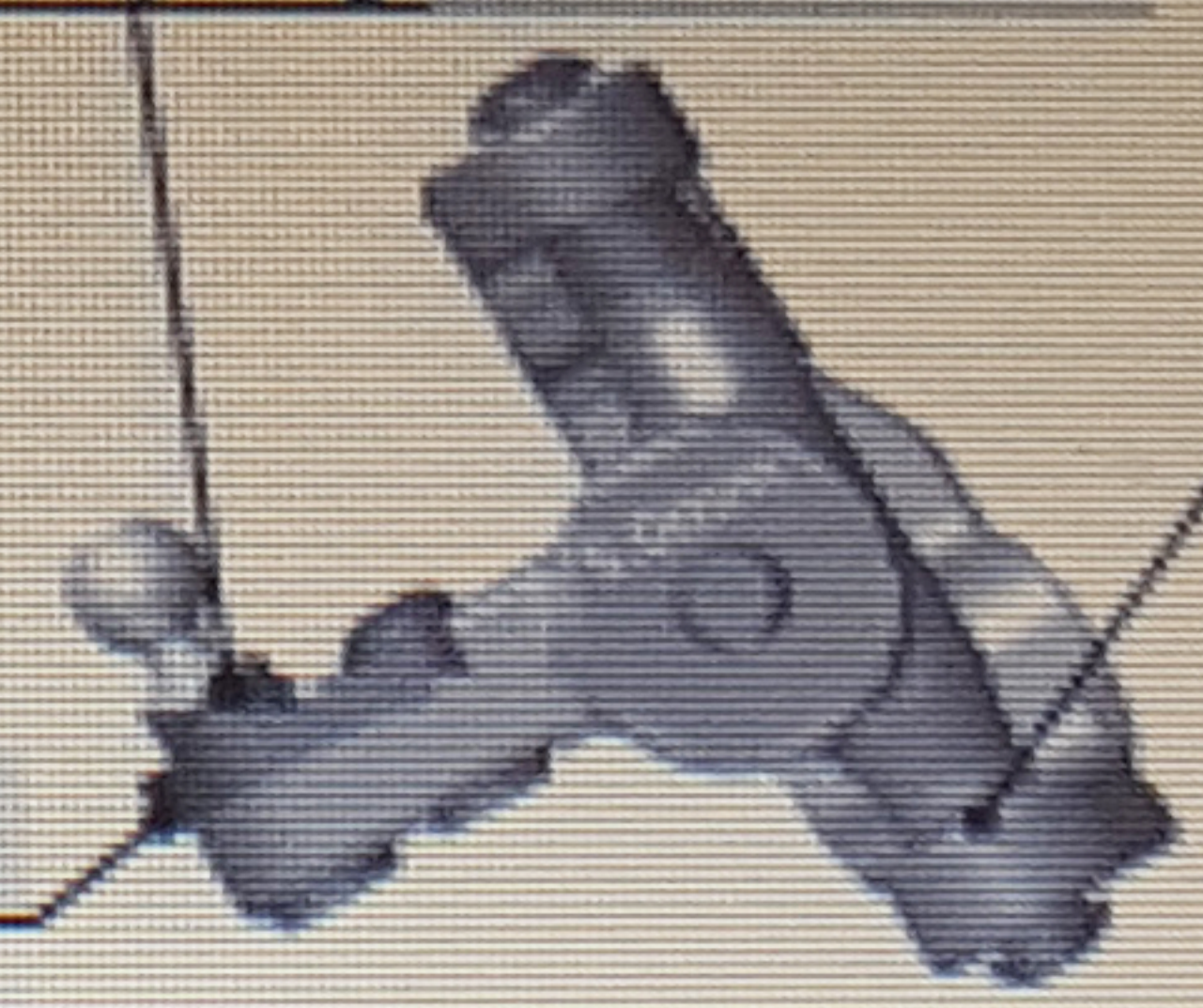
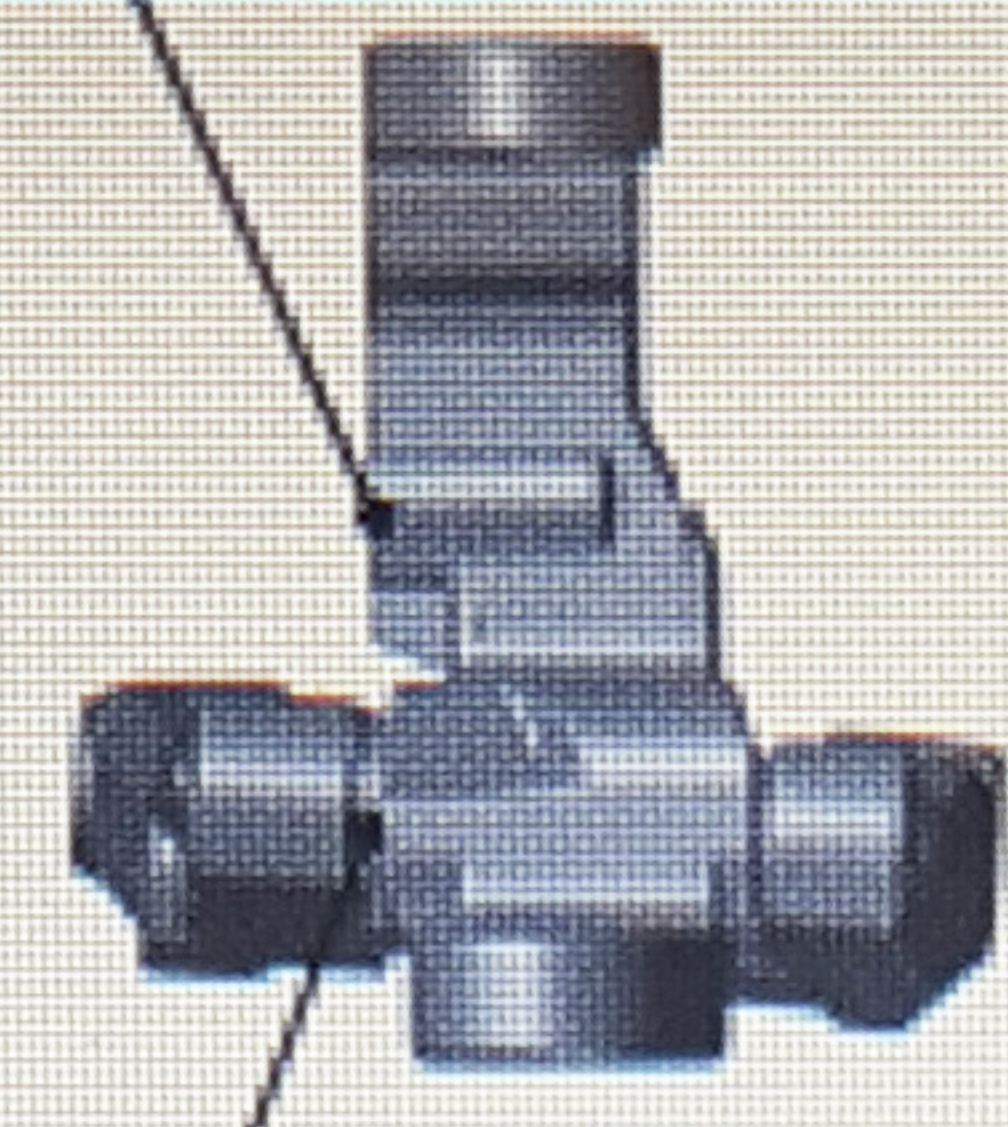
Steering Plate: std

Steering Stop Spacing: 0

Ball Stud Spacing: 2mm

Caster Block Spacing: spacer forward

1.5mm under bulkhead
Notes



Rear Suspension

Wish Height: 16
 Castors: -2
 Wheel Base: 7mm
 CMB Pin Location: inn
 Hub Spacing:
 Forward Middle Back
 Shock Mounting Position:
 Front of Arm Rear of Arm

Anti Ball Bar:
 None
 White (1.2mm)
 Gray (1.3mm)
 Blue (1.4mm)
 Other:

C Mount Inserts: 1° 0.5°
 Aluminum Brass

D Mount Inserts: 1° 0.5°
 Aluminum Brass

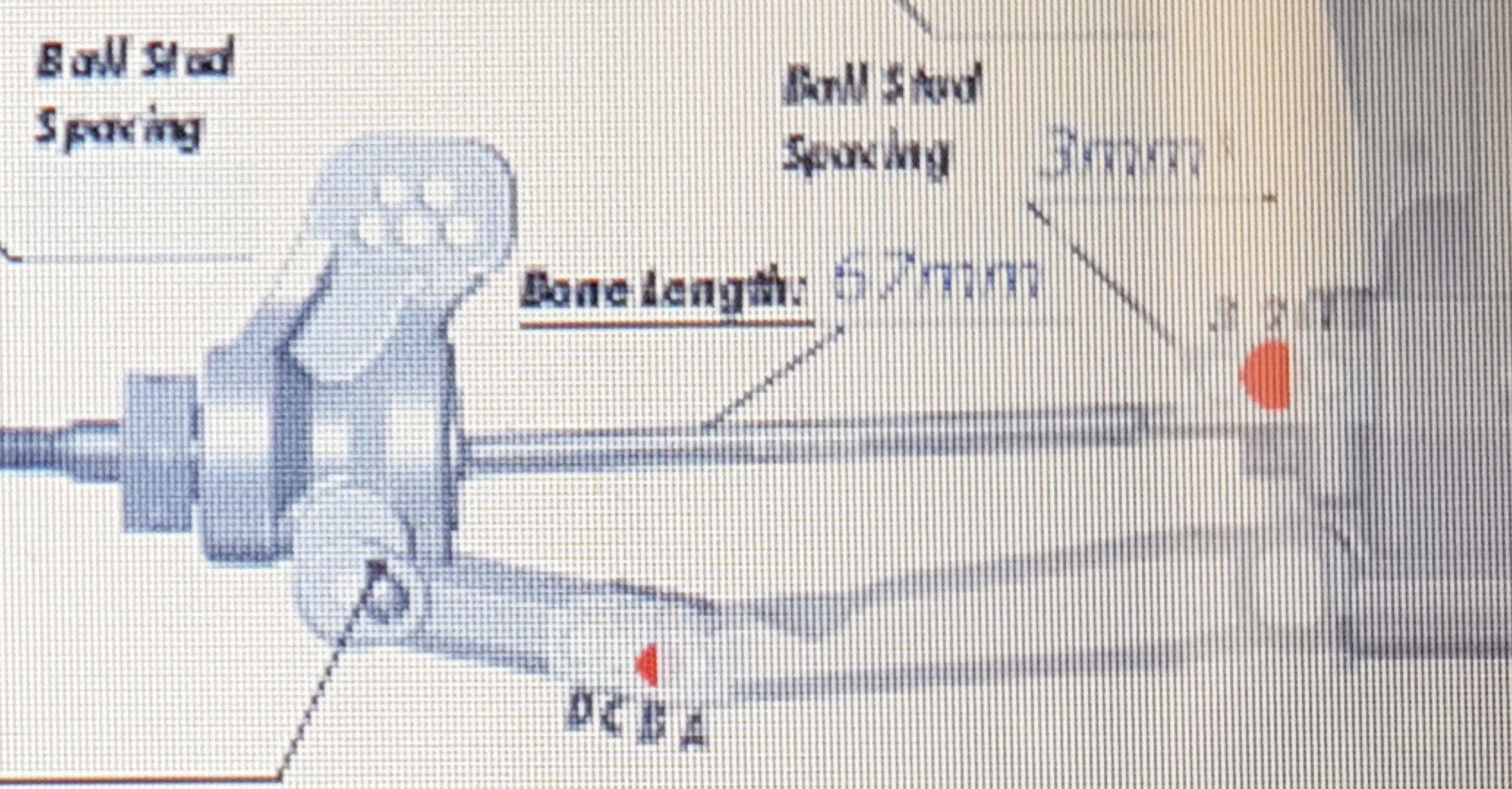
Rear Hub Link Setting:

Plastic Hub Aluminum Hub

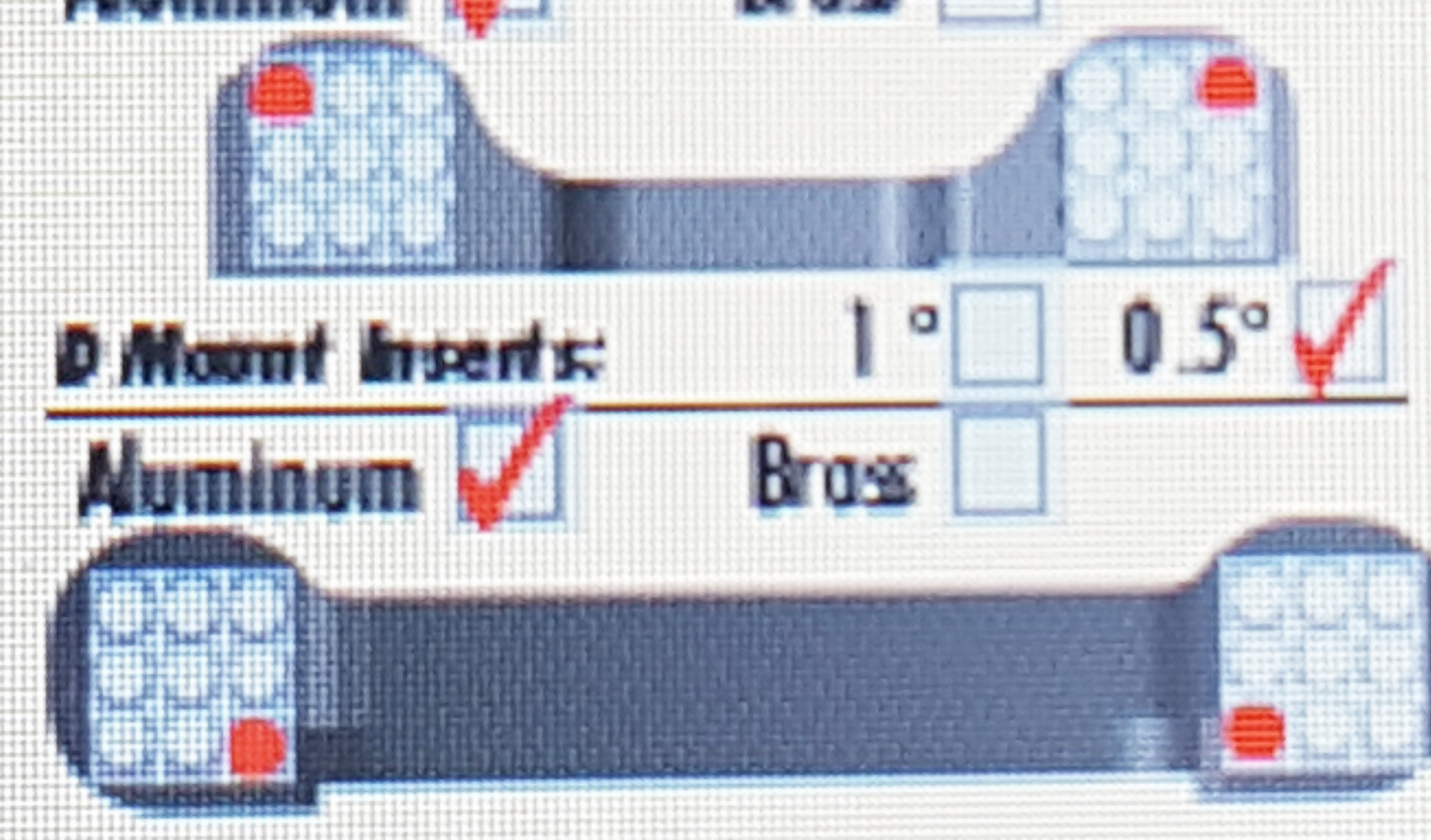
Up Down

Spacing:
 0 (vs)
 +1 (vs)
 +2 (vs)
 +3 (vs)

Hub Insert:
 0 (vs)
 +1 (vs)
 +2 (vs)
 +3 (vs)



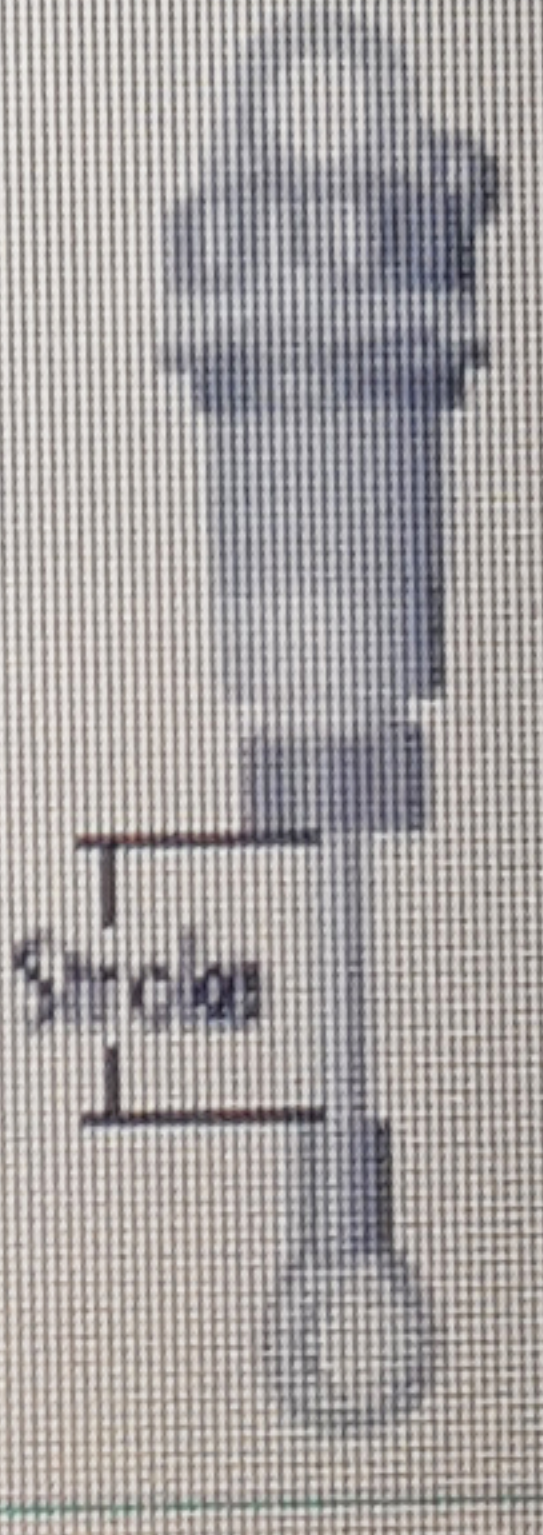
Notes



Radio: _____ Servo: _____
 ESC: Throttle: _____ % Brake: _____ %
 ESC Settings:
 Motor: _____ Timing: _____
 Pinion: _____ Spur: _____
 Battery: _____
 Battery Position: _____

Drivetrain: Weight: +3
 Transmission:
 3 Gear 4 Gear
 Stand Up Layback
 Ball Diff:
 Gear Diff: 2 gear 10k
 Slipper Clutch: tight
 # of Pads: std

Shocks:	Front	Rear
Piston:	1.6 x 2	1.7 x 2
Fluid:	42.5	32.5
Spring:	v2 Orange	v2 blue
Limiters:	1mm	1mm
Stroke:	21	28
Eyelet Length:	long	long
Cup Offset:	+5	0
Notes:		



Size: Small Medium Large Extra Large
 Surface: Dirt Carpet AstroTurf Multi Surface
 Traction: Low Medium High Very High
 Moisture: Dry Damp Wet
 Condition: Indoor Outdoor Dusty Hard Packed
 Bumpy Grooved Smooth Lumpy
 Temperature: Ambient: _____ Humidity: _____
 Notes: _____

Front Tires: schumacher cut stagger
 Front Compound: yellow
 Front Insert:
 Rear Tires: schumacher cactus
 Rear Compound: yellow
 Rear Insert: schumacher blue
 Wheel (F/R): AE
 Notes: _____

Body: Jconcepts F2
 Wing: std
 Wing Angle: 0° 3° 6°
 Servo Weights:
 None Aluminum Steel Other
 Electronic Weights:
 None Aluminum Steel Other
 Total Vehicle Weight: _____

Comments

normal shorty battery
Front Wing